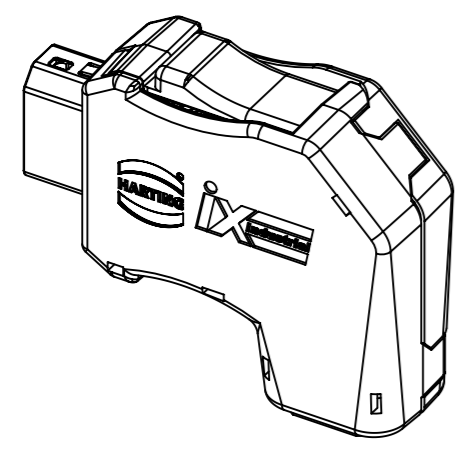
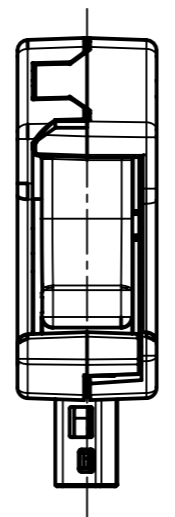
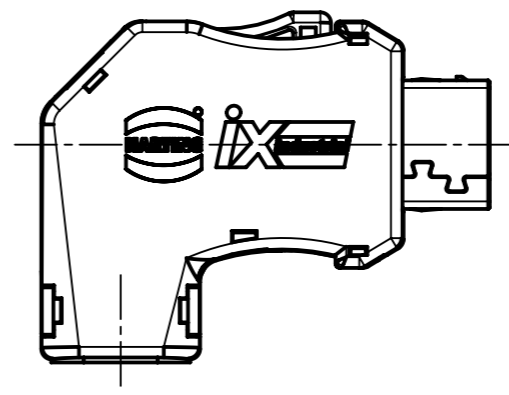
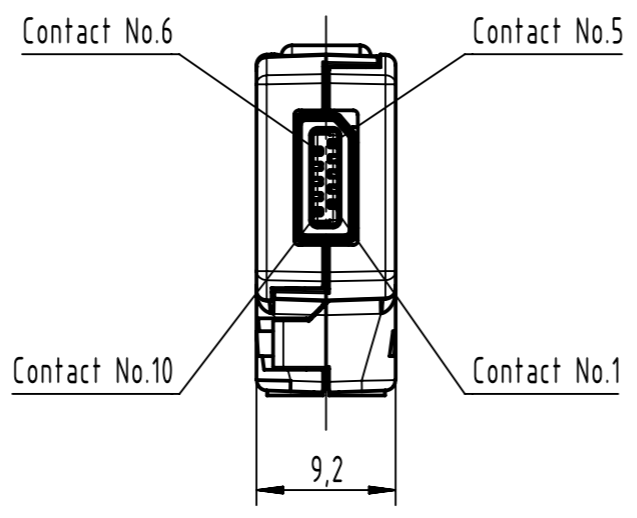
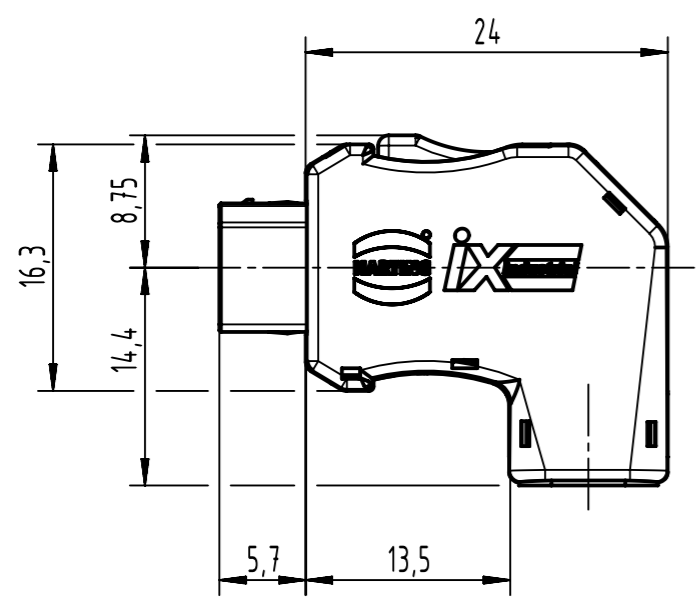
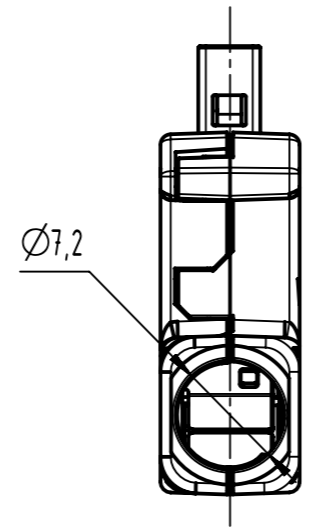
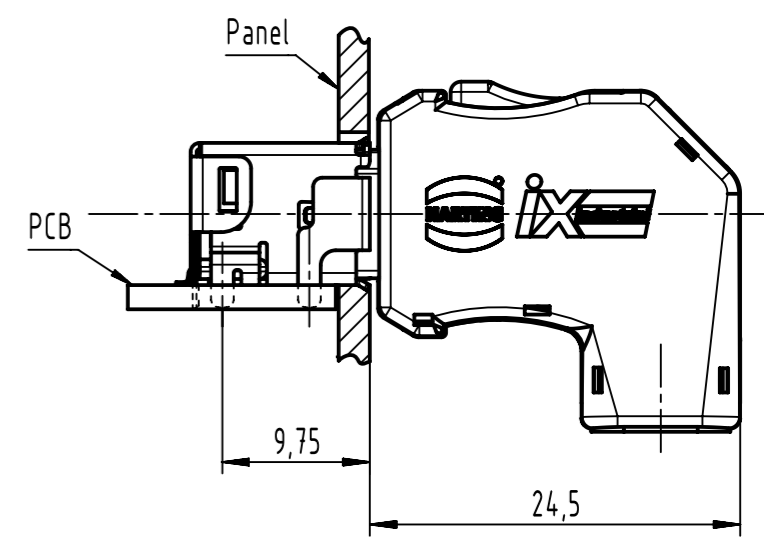
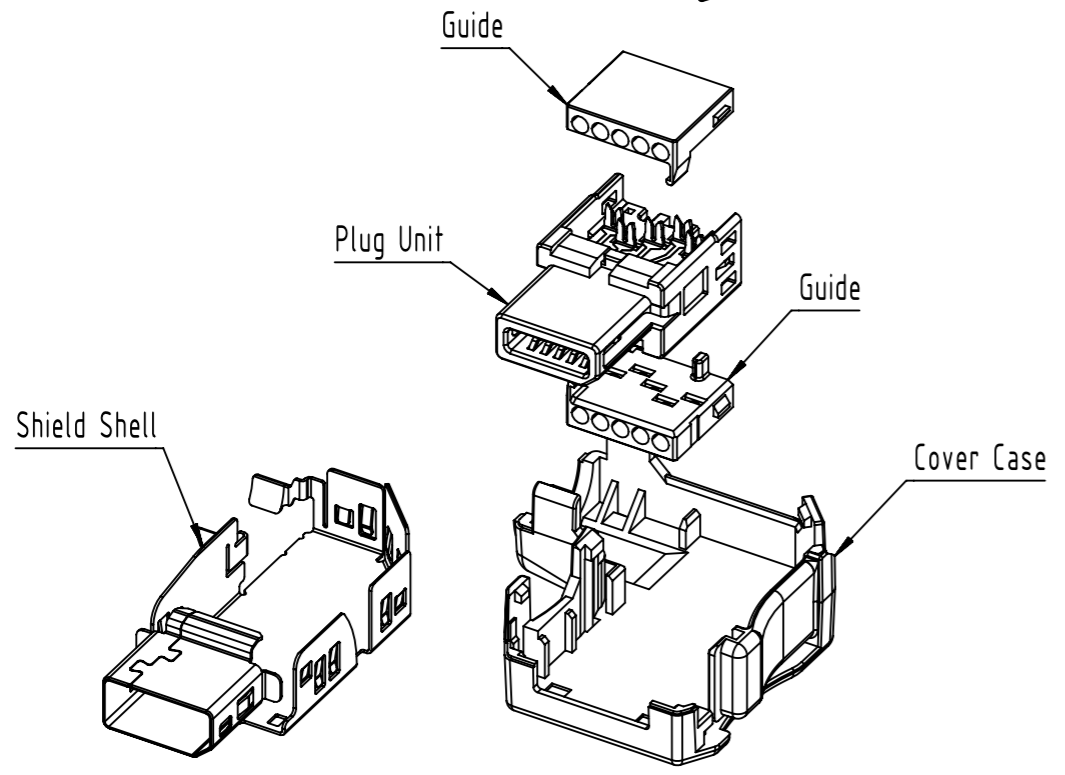
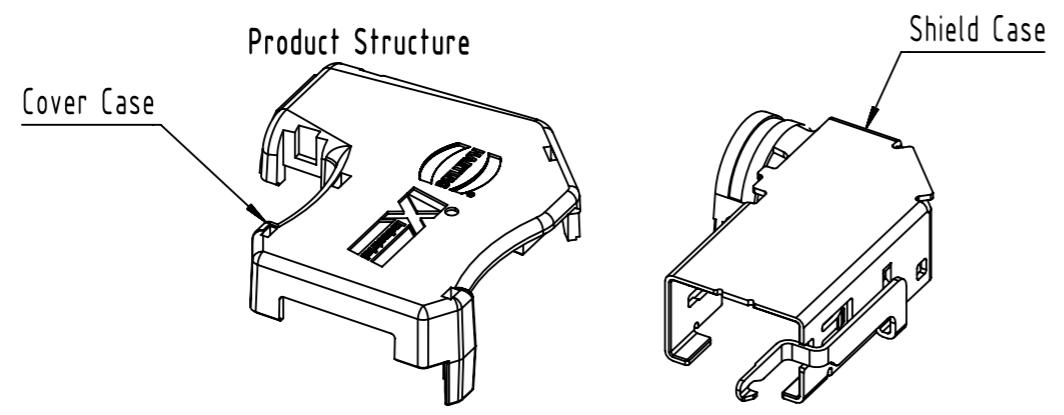
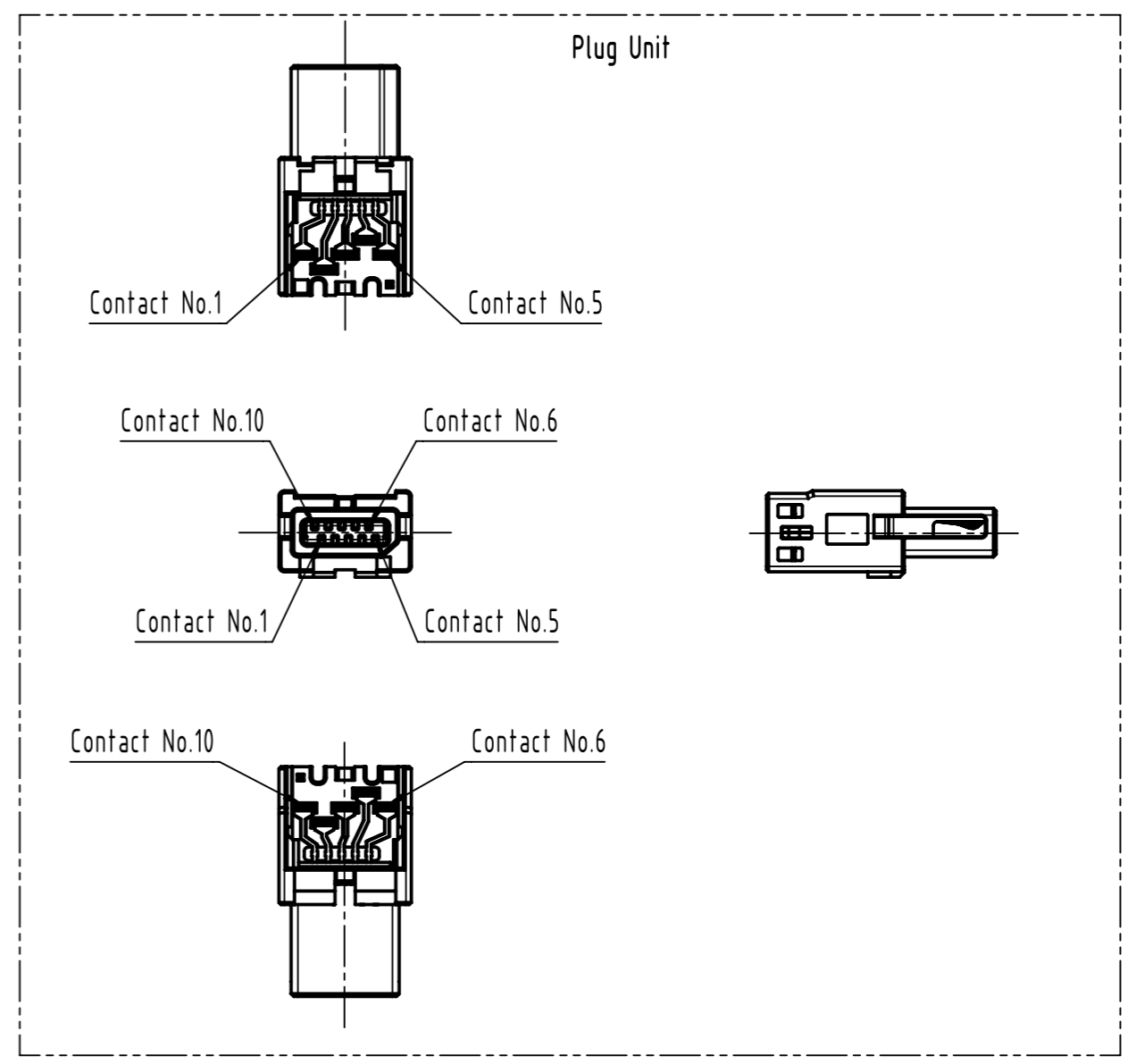
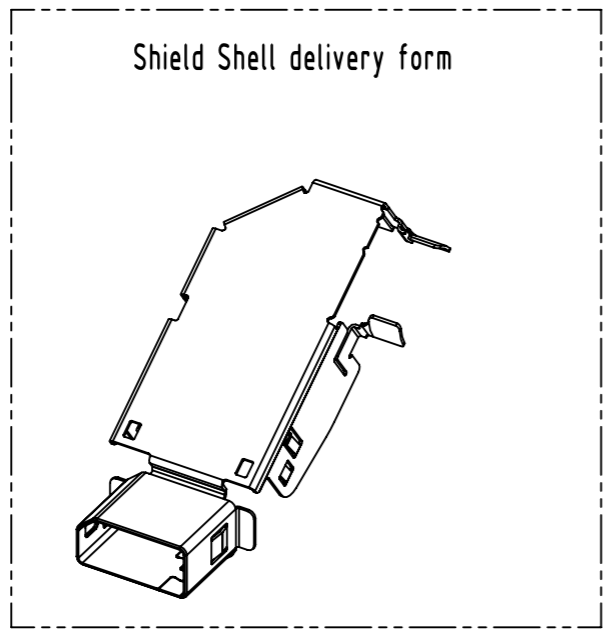


Applicable cable	
Items	Applicable condition
Conductor size	AWG 24
Insulation O.D.	Ø1.1 to 1.25 mm
Braid Shield	Tin plating
Sheath O.D.	Ø5.5mm - Ø7.2mm



Contact material: copper alloy  
 Contact area: Gold 0.2µm min.  
 Wiring area: Gold 0.03µm min.  
 Under plating: Nickel 2µm min.

	All Dimensions in mm Original Size DIN A3		Scale 2:1	Free size tol.		Ref.
	All rights reserved Department EL PD		Created by 406403	Inspected by PREOTU	Standardisation ROEBEN	Date 2022-05-17
HARTING D-32339 Espelkamp		Title ix Industrial 10B-1 plug A1-I24			Doc-Key / ECM-Nr. 100903584/UGD/000/B 500000216892	
		Type TB	Number 09451819022XL		Rev. B	Page 1/2



	All rights reserved Department EL PD	Created by 406403	Inspected by PREOTU	Standardisation ROEBEN	Date 2022-05-17	State Final Release	Ref. Sub.
	Title ix Industrial 10B-1 plug A1-I24 Type TB      Number 09451819022XL					Doc-Key / ECM-Nr. 100903584/UGD/000/B 500000216892 Rev. B      Page 2/2	
HARTING D-32339 Espelkamp							